



Swaby
Manufacturing Company

SEWAGE EJECTOR SERIAL 5500
SUBMERSIBLE, NON-CLOG
Capacity Range 5-2000 GPM

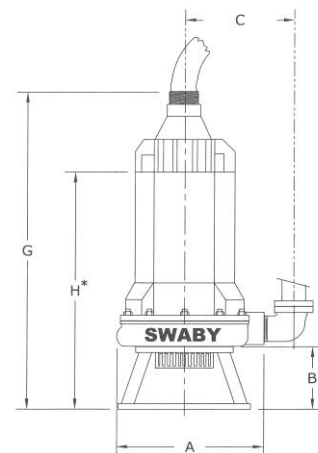
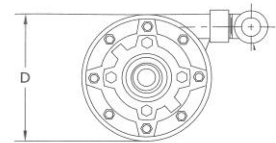
Features

- * Explosion Proof
- * Flow rates to 2000 GPM @ 35 TDH
- * Non Clogging Impeller Design
- * Inner and Outer Motor Seal
- * Moisture Sensors
- * Heavy Duty Shaft Bearings
- * Double Mechanical Seals
- * Quiet and Vibration Less
- * Small Footprint to occupy less space
- * Motor cannot be damaged by flooding in event of electric power failure
- * UL Listed
- * Stainless Steel Shaft and Fasteners
- * Completely Modular and Adjustable Guide Rail System
- * 25' Power and Control Cable
- * Control Panel (Optional)
- * Float Switch (Optional)
- * Tungsten or Silicon Carbide Seals (Optional)



Sizes and Dimensions

Pump Sizes	Motor Frame	H.P Range		Dimensions (inches)					
		1150 RPM	1750 RPM	A	B	C	D	G	H
4A-5500	140 TY	0.5 - 2	0.5 - 3	19	3.25	9.5	13.6	32	23
	180 TY	5	5					35	24
4B-5500	140 TY	0.5 - 2	0.5 - 3	28.8	4	16.7	15.6	32	25
	180 TY	3 - 5	5					38	27
	210 TY	7.5 - 10	10 - 20					40	31
4BB-5500	140 TY	0.5 - 2	0.5 - 3	22.5	4	11.25	16.6	35	27
	180 TY	3 - 5	5					36	28
	210 TY	7.5 - 10	10 - 20					41	33
4C-5500	180 TY	5	5	33.7	5.5	19.2	20	40	30
	210 TY	7.5 - 10	10 - 20					43	34
	250 TY	15 - 25	25 - 40					51	37
6-5500	210 TY	10	10 - 20	41.7	6	23	25.2	51	36
	250 TY	15 - 25	25 - 40					56	40
	320 TY	30 - 60	50 - 75					59	48





Heavy Duty Submersible Pump Model 5500

PUMP CONSTRUCTION

Pump Volute... The cast iron pump volute or casing is designed with liberal proportions, and smooth fluid pass ages, to readily pass, without clogging any solids contained in the liquid.

Impeller ... The non-clogging cast semi-steel impeller is of the enclosed type, especially designed for the handling of unscreened sewage and all types of liquids containing large or stringy solids. The water passage are large and smooth without cavities, edges or corners, into which solid material can collect or stringy material cling. The impeller is accurately machined, mechanically and hydraulically balanced. A long hub, provided at the back flange, is bored and key seated for securely mounting the impeller on the shaft and locking it in place with a locknut.

Base ... Substantial base is provided with leveling screws to facilitate alignment of pump at sump bottom with discharge pipe.

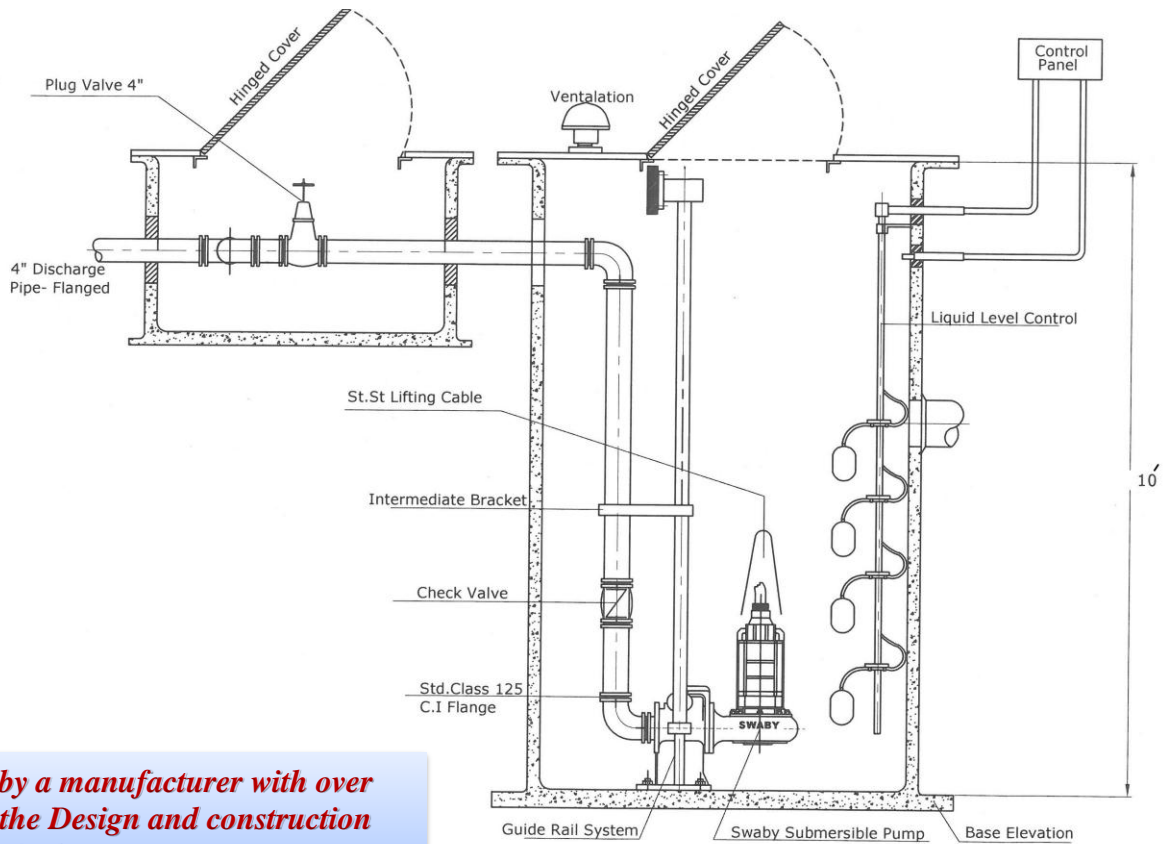
Liquid Level Control ... Available with either floats switch or Mercutrol liquid level controls. Controls pedestal or side wall mounted and furnished in NEMA 1, NEMA 4 or NEMA 7 enclosures.



Submersible Pump 5500 with Guide Rail System

APPLICATIONS

- * For Pumping Liquid
- Containing Solids*
- * Unscreened Sewage
- * Paper Pulp
- * Food Solids
- * Storm Water
- * Industry by Products
- * Beet Pulp
- * Tannery Wastes
- * Oil Separators



Built and fully guaranteed by a manufacturer with over 119 years of experience in the Design and construction of centrifugal pumps exclusively ...