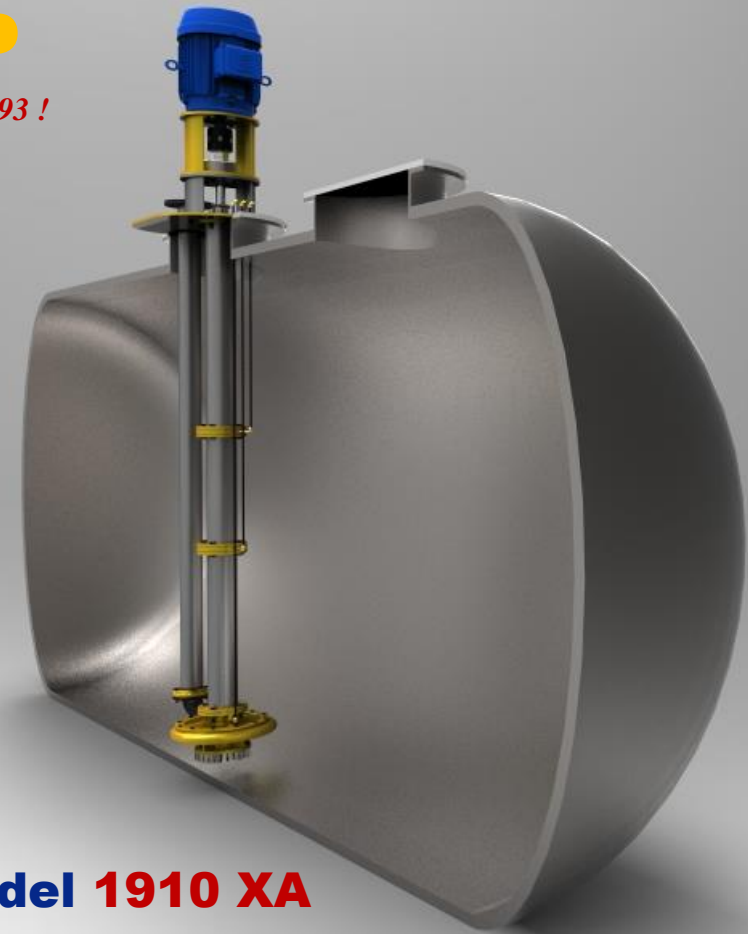
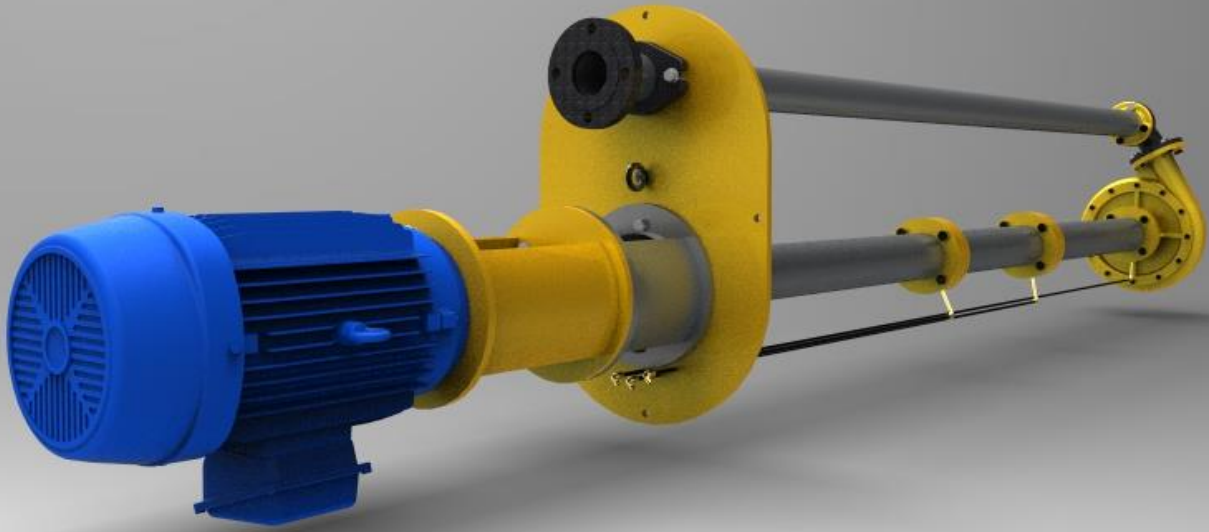


# SWABY PUMP

*Manufacturers of Dependable Pumps Since 1893 !*



## Vertical Sump - Centrifugal Pump Model 1910 XA

- ✓ Flow 454 m<sup>3</sup>/hr @ 30 m head
- ✓ High Quality Motor
- ✓ Flexible Coupling
- ✓ Rigid Column
- ✓ Accurate Machined Impeller
- ✓ Transverse Flush Lubrication

## Applications

- ✓ Industrial Plants
- ✓ Power Stations
- ✓ Commercial & Municipal Buildings
- ✓ Wastewater Plants
- ✓ Refineries – Oil Separators